

SILICON POWER SYSTEMS

Bhagwati Society, Haidary Chowk, Rajkot - 360 003. Gujarat. INDIA.
 Mob : +919429575872 | Email : sales@spsindia.biz | Web : www.spsindia.biz

BATTERY CHARGER - SPS C2406

SPECIFICATIONS

- Constant output voltage
- Current limiting
- Short circuit protection
- Fail (Relay) output
- Reverse connection protection
- Wide range operation voltage
- High temperature protection
- Suitable for Lead Acid battery

OUTPUT

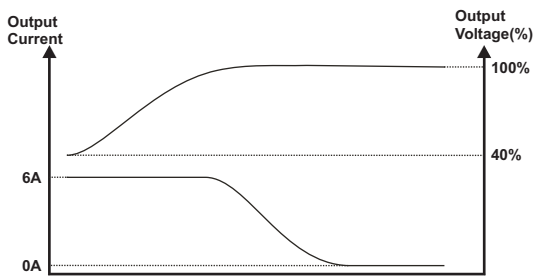
Battery output:

* 24V, 6 Amp. : 27.4VZ

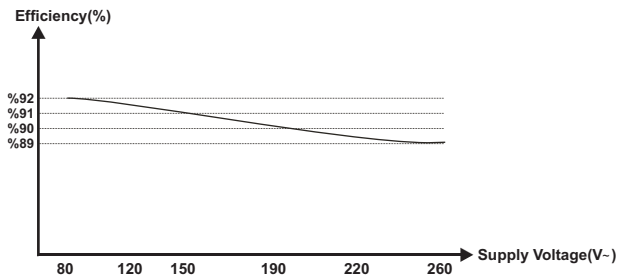
Fail Output:

Relay output

CURRENT-VOLTAGE CURVE



EFFICIENCY CURVE



LED INDICATOR

- ORANGE - REVERSE BATTERY
- YELLOW - AUTO BOOST
- RED - POWER FAIL
- GREEN - CHARGER ON

IMPORTANT INFORMATION

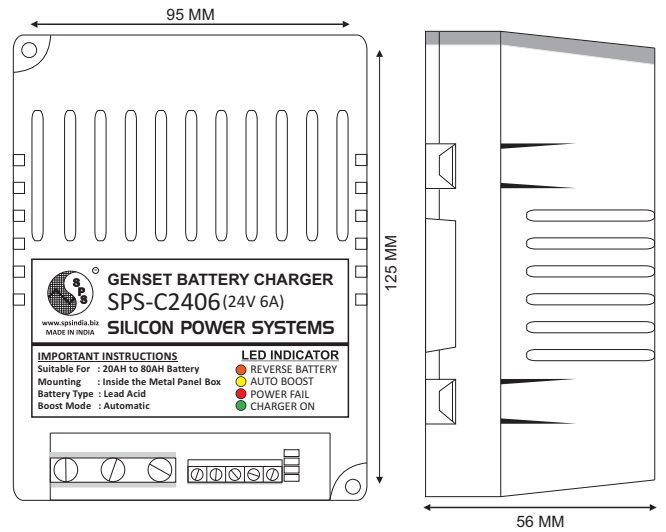
- Genset Battery Charger
- Mounting Inside the Metal Panel Box
- Suitable For 20AH to 80AH Battery
- Battery Type Lead Acid
- Boost Mode Automatic

POWER SUPPLY

Power Supply Voltage :
 160-270 V ~ 50/60 Hz

ENVIRONMENTAL RATINGS and PHYSICAL SPECIFICATIONS

Operation Temperature: -30...60°C
 Humidity : 0-90%RH (non condensing)
 Weight: 450 gr.
 Dimensions: L: 125mm / W: 95mm / H: 56 mm



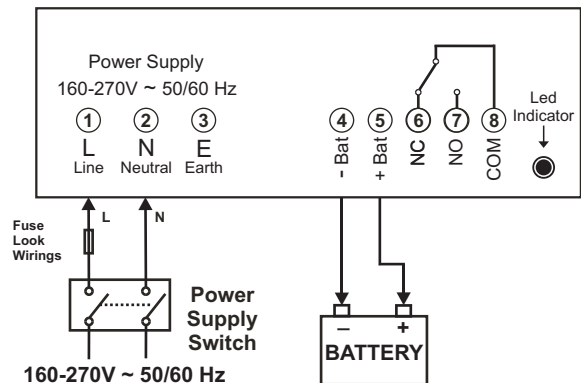
WIRINGS

Wiring Type: Screw terminal
 Recommended AC fuse:

L	AC line
N	AC neutral
E	Earth
-BAT	Battery Negative
+BAT	Battery Positive

ELECTRICAL WIRING

BATTERY CHARGER (160-270V ~ 50/60 Hz)



CHARGER FAIL RELAY OUTPUT

COM - Relay Common Terminal.
 NO - When charge output is OK, COM is connected with NO.
 NC - When charge FAIL, COM is connected with NC.